

PLEX-DM21

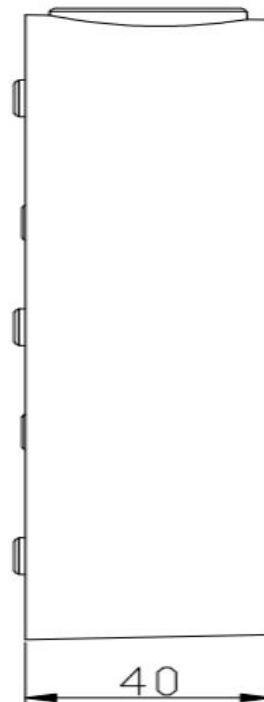
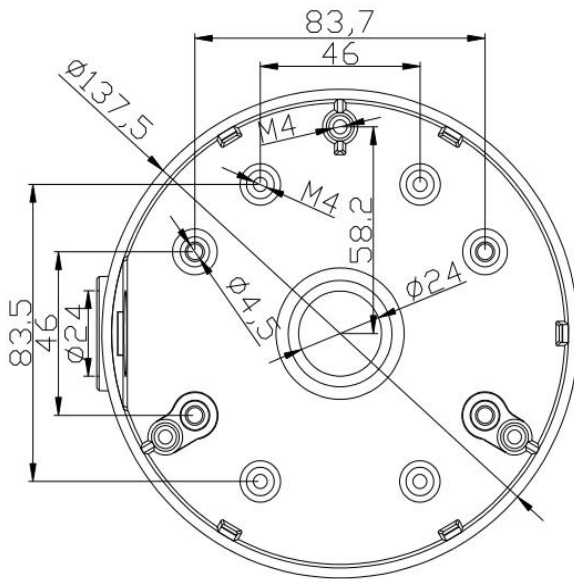
Junction Box for Dome Camera



Features:

- Aluminum alloy material with surface spray treatment
- Side inlet and bottom inlet
- The bottom waterproof cover and the side gland nut are interchangeable
- Waterproof design

Dimension:



Model:

PLEX-DM21

Parameter:

Parameters	Model	PLEX-DM21
		Junction Box for Dome Camera
Appearance		White
Material		Aluminum alloy
Dimension		Φ137.5mm x 40mm
Weight		280g

Notice:

- The junction box should be installed on the flat surface.
- Waterproof rubber is necessary for outdoor application
- The wall must be capable of supporting over 3 times as much as the total weight of the camera and the mount.
- The maximum load capacity of the bracket is 4.5KG Note: The actual bracket may vary from the picture above.